

LETS MAKE  
ZERO-EMISSION REAL

RentalMatch.eu

RentalMatch Green Power  
Dealer & Partner of JMG Cranes

Sales & Service Office  
Ecologieweg 16  
3343 LM Hendrik-Ido-Ambacht - Netherlands  
+31 (0) 78 204 92 60  
info@rentalmatch.eu

Gijs van de Graaf  
+31 651855113

Dick van de Graaf  
+31 613214166

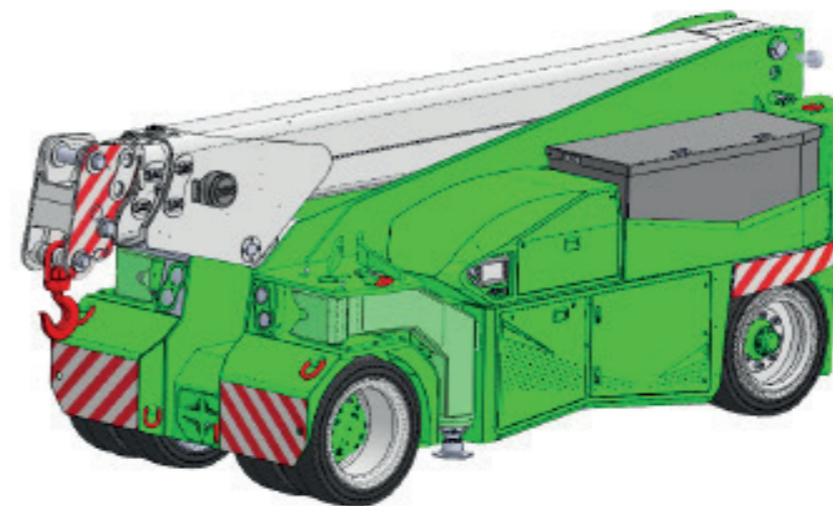
Production Plant  
Via Sito Nuovo 14  
29010 Sarmato (PC) - Italy



vca✓

**RentalMatch**  
GREEN POWER

Electric  
Pick & Carry  
Cranes



**MC 180S (metric)**  
Max Capacity 18,000 Kg

# MC 180S

- ✓ Radio-remote control on driving, steering, boom movements, Winch and other accessories
- ✓ Front-wheels drive with counter rotation
- ✓ Hydraulically telescoping Proportional type boom
- ✓ Removable counterweights
- ✓ Front stabilising bar

### Options:

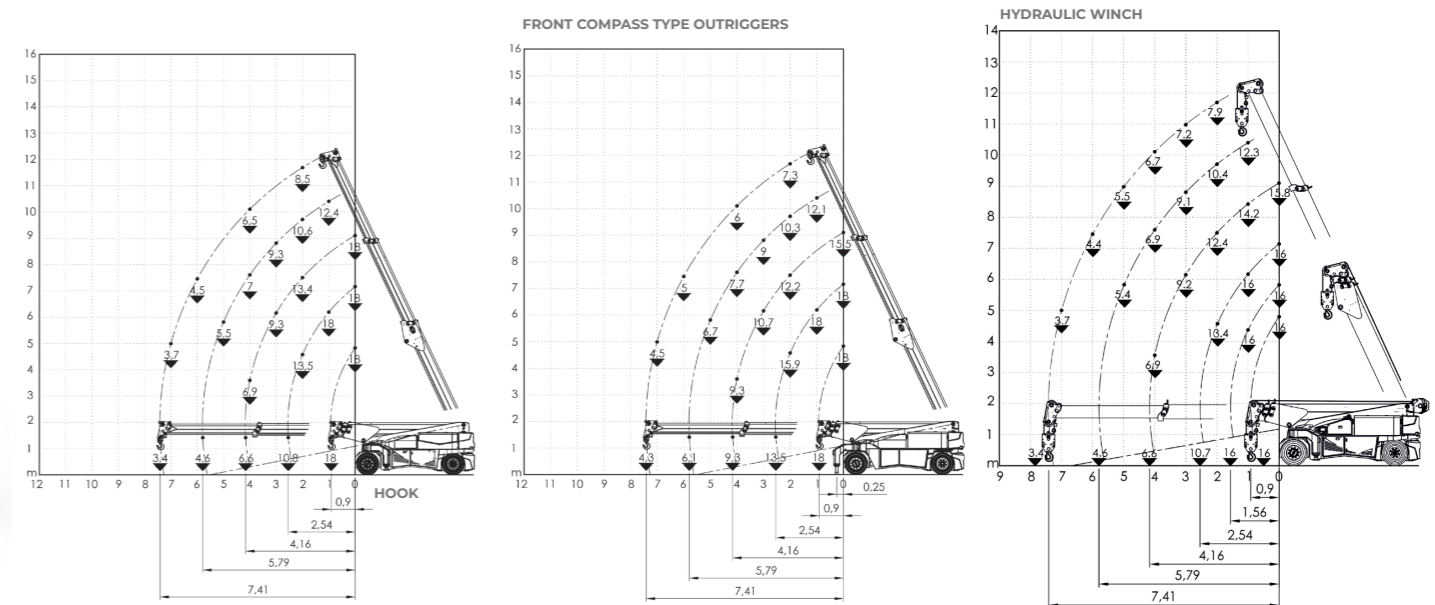
- Hydraulic winch
- Hydraulic jib with hydraulic Extension
- Bendable manual jib with Manual extension
- Non-marking tires
- Hydraulic forks
- Man bucket
- Atex conversions
- Customized painting



### Technical features

Max Capacity kg	18,000	Front-wheels drive. 2 electric motors AC 10 kW 96V Insulation class H	<b>LMI.</b> Electronic safe load indicator and tilting moment limiter
		Total Kg. 21,610 Removable counterweights Kg. 6,110	Automatic braking system on all wheels
Dimensions mm	4535x1990x2000	96 V - 1035 Ah 8 working hours	Fabricated from preformed and welded quality steel plate
		Front nr. 4 superelastic 355x50-20" Rear nr. 2 superelastic 355x50-20"	+65°/-6°
		Rear Steering angle -90°/+90°	Motor driven pump N°2 23 kW - 96 V AC, 16 kW - 96 V AC Insulation class H

### Load charts



### EU Standards CE

	UNI ISO 4301-2: A1
	2006/42 CE-2014/30 UE-2014/35 UE- 2000/14 e and subsequent modifications
	EN 13000:2014 ANSI/ASME B30.5-2011 and subsequent modifications

### Dimensions

