

LETS MAKE
ZERO-EMISSION REAL

RentalMatch.eu

RentalMatch Green Power
Dealer & Partner of JMG Cranes

Sales & Service Office
Ecologieweg 16
3343 LM Hendrik-Ido-Ambacht - Netherlands
+31 (0) 78 204 92 60
info@rentalmatch.eu

Gijs van de Graaf
+31 651855113

Dick van de Graaf
+31 613214166

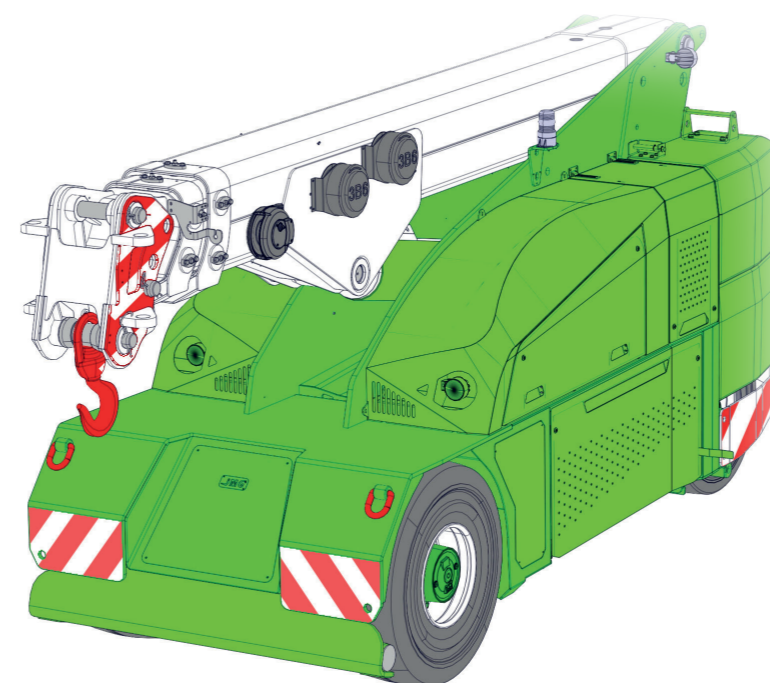
Production Plant
Via Sito Nuovo 14
29010 Sarmato (PC) - Italy



vca✓

**RentalMatch**
GREEN POWER

Electric
Pick & Carry
Cranes



MC 100S (metric)
Max Capacity 10.000 kg

MC 100S

- ✓ Radio-remote control on driving, steering, boom movements, winch and other accessories
- ✓ Front-wheels drive with counter rotation
- ✓ Hydraulically telescoping
- ✓ Proportionally type boom
- ✓ Removable counterweights
- ✓ Front stabilising bar

Options:

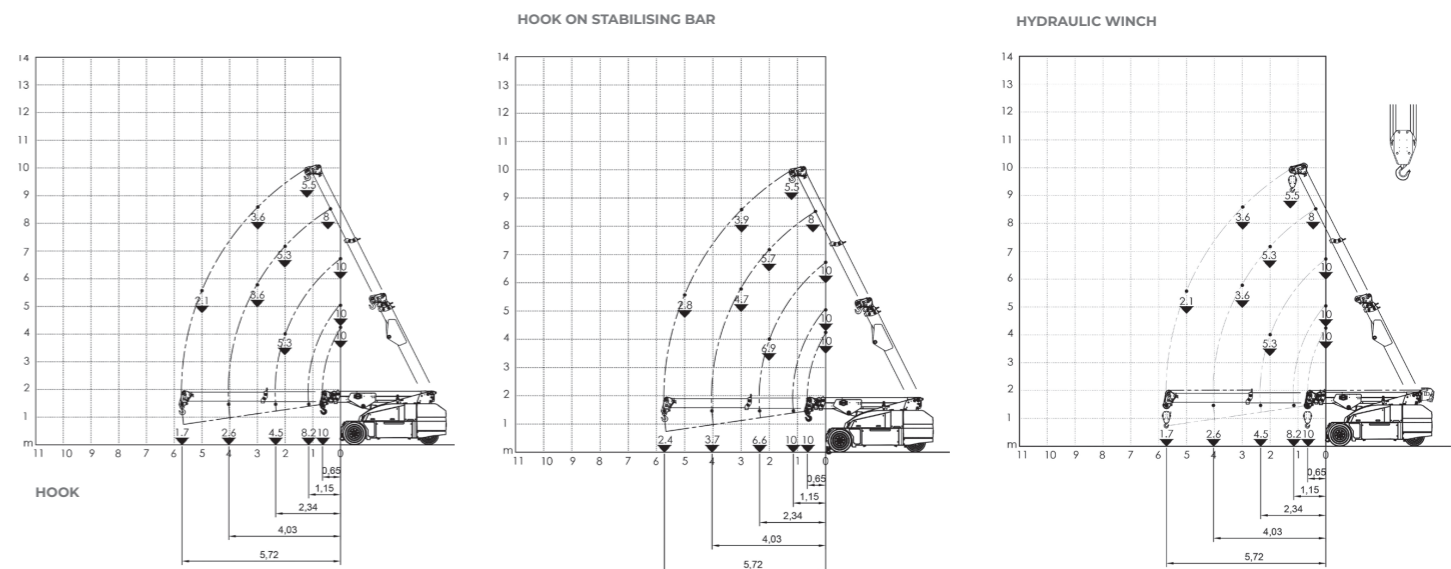
- Hydraulic winch
- Hydraulic jib with hydraulic Extension
- Bendable manual jib with Manual extension
- Non-marking tires
- Hydraulic forks
- Man bucket
- Atex conversions
- Customized painting



Technical features

Max Capacity kg	10,000	Front-wheels drive. 2 electric motors AC 7,5 kW 80V Insulation class H	L.M.I. Electronic safe load indicator and tilting moment limiter
	Dimensions mm	3800x1500x1949	Total Kg. 11,400 Removable counterweights Kg. 4,100
80 V - 810 Ah 8 working hours		Front nr. 2 superelastic 355-15" Rear nr. 2 superelastic 250-15"	Fabricated from preformed and welded quality steel plate
Rear Steering angle -90°/+90°		+65°/-10°	Motor driven pump 20 kW - 80 V AC, Insulation class H

Load charts



EU Standards CE

	UNI ISO 4301-2: A1
	2006/42 CE-2014/30 UE-2014/35 UE- 2000/14 e and subsequent modifications
	EN 13000:2014 ANSI/ASME B30.5-2011 and subsequent modifications

Dimensions

