

LET'S MAKE
ZERO-EMISSION REAL

RentalMatch.eu

RentalMatch Green Power
Dealer & Partner of JMG Cranes

Sales & Service Office
Ecologieweg 16
3343 LM Hendrik-Ido-Ambacht - Netherlands
+31 (0) 78 204 92 60
info@rentalmatch.eu

Gijs van de Graaf
+31 651855113

Dick van de Graaf
+31 613214166

Production Plant
Via Sito Nuovo 14
29010 Sarmato (PC) - Italy



vca✓

**RentalMatch**
GREEN POWER

Electric
Pick & Carry
Cranes



MC 80.06 (metric)

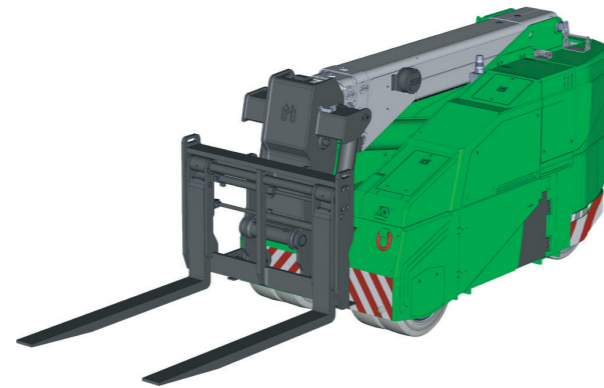
Max Capacity 12,000 kg
Max Capacity Hydraulic
Forks 8,000 kg

MC 80.06

- ✓ Radio-remote control on driving, steering, boom movements, Winch and other accessories
- ✓ Hydraulically telescoping Proportional type boom
- ✓ Extendible rear group with removable ballast
- ✓ 8 ton hydraulic forks
- ✓ Removable counterweights
- ✓ 180° rear steering

Options:

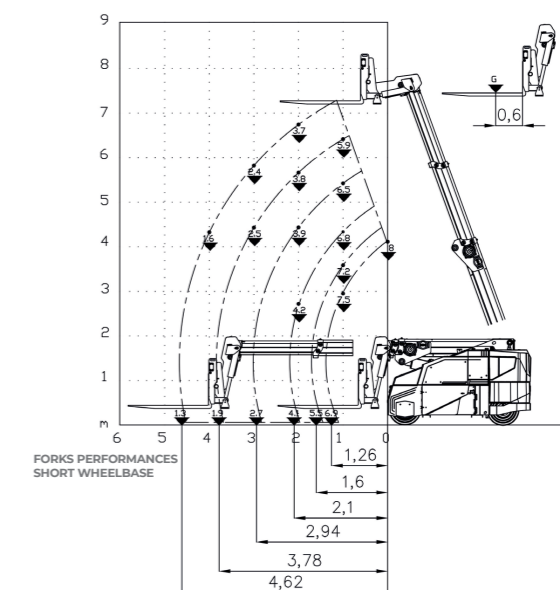
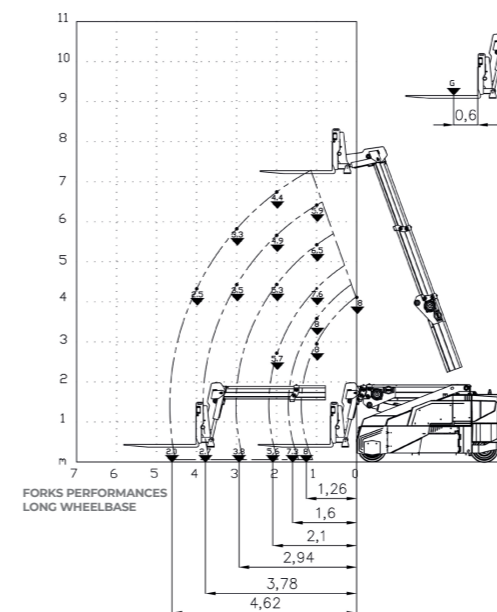
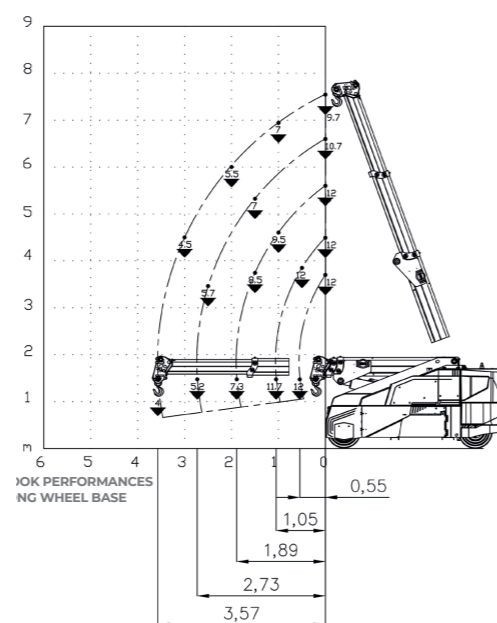
- Hydraulic winch
- Hydraulic jib with hydraulic Extension
- Manually bendable jib with Manual extension
- Non-marking tires
- 9 Ton hydraulic forks
- Extra ballasts kg 700
- Man bucket
- Atex conversions
- Customized painting



Technical features

Max Capacity kg	12,000	Front-wheels drive. 2 electric motors AC 6,5 kW 80V Insulation class H	LMI. Electronic safe load indicator and tilting moment limiter
	Dimensions mm	Total Kg. 13,200 Removable counterweights Kg. 4,500	Automatic braking system on all wheels
Dimensions mm		80 V - 810 Ah 8 working hours	Fabricated from preformed and welded quality steel plate
	Dimensions mm	Front nr. 4 superelastic 200-15" Rear nr. 2 superelastic 250-15"	+70°/-7°
Dimensions mm		Rear Steering angle -90°/+90°	Motor driven pump 20 kW - 80 V Insulation class H

Load charts



EU Standards CE

	UNI ISO 4301-2: A1
	2006/42 CE-2014/30 UE-2014/35 UE- 2000/14 e and subsequent modifications
	EN 13000:2014 ANSI/ASME B30.5-2011 and subsequent modifications

Dimensions

