

LETS MAKE
ZERO-EMISSION REAL

RentalMatch.eu

RentalMatch Green Power
Dealer & Partner of JMG Cranes

Sales & Service Office
Ecologieweg 16
3343 LM Hendrik-Ido-Ambacht - Netherlands
+31 (0) 78 204 92 60
info@rentalmatch.eu

Gijs van de Graaf
+31 651855113

Dick van de Graaf
+31 613214166

Production Plant
Via Sito Nuovo 14
29010 Sarmato (PC) - Italy

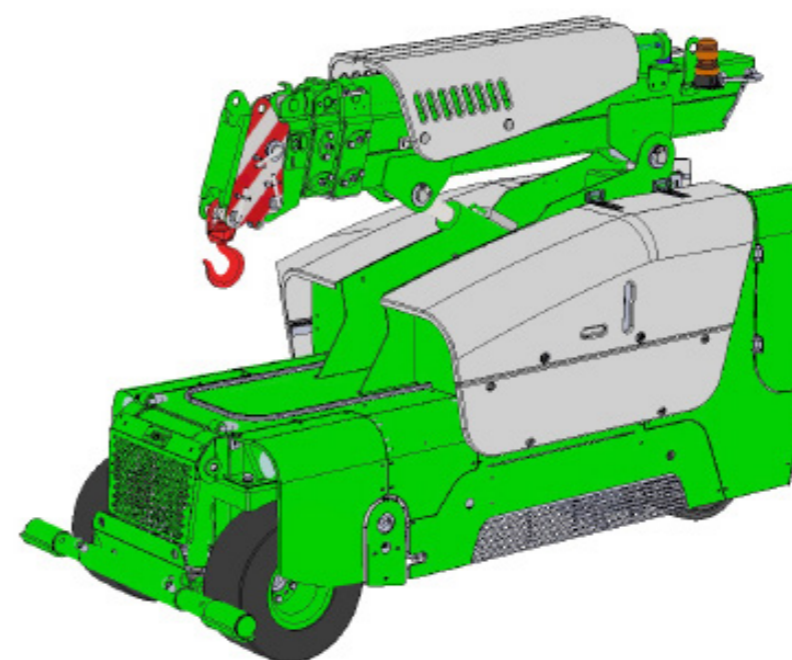


Data subject to change without prior notice
Edition 04/2020 © 2020 JMG Cranes S.p.A. All rights reserved
Rev.1 - 04/20



RentalMatch
GREEN POWER

Electric
Pick & Carry
Cranes



SPEEDYLIFTER99
(metric)
Max Capacity 1,300 kg

JMG[®]
movetosolution

SPEEDYLIFTER99

VACUUM, AS AN OPTION, FOR GLASS AND CRATES HANDLING
 FULLY RADIOCONTROLLED CRANE
 LITHIUM BATTERY

Options :

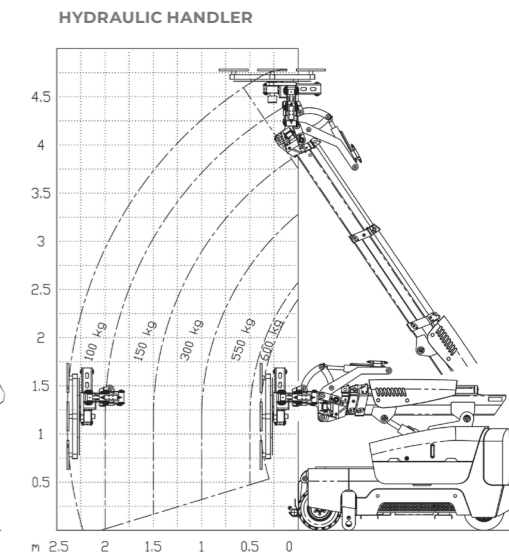
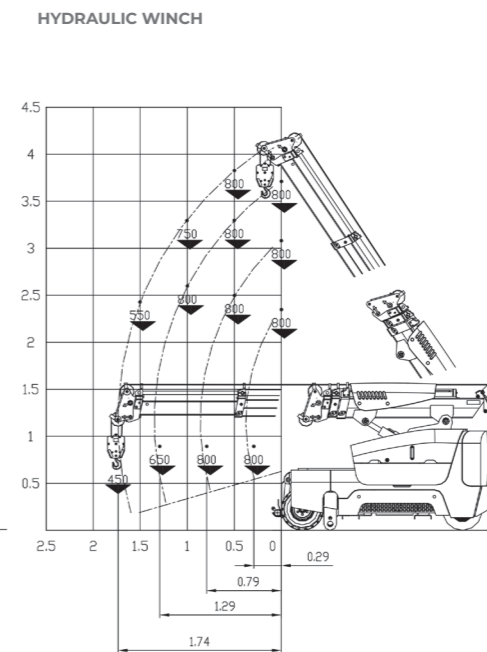
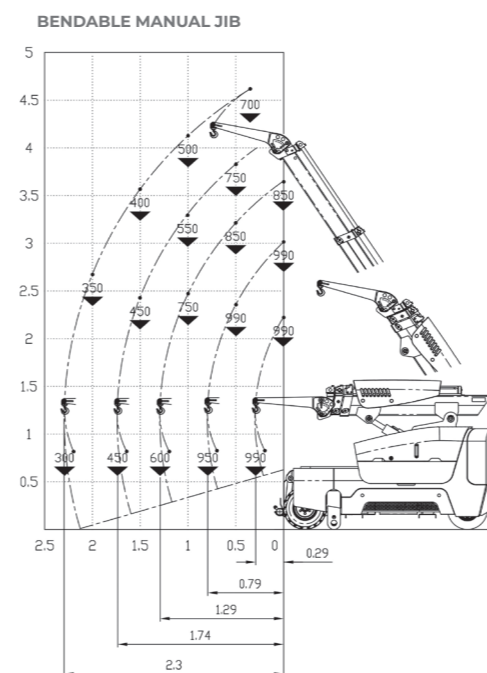
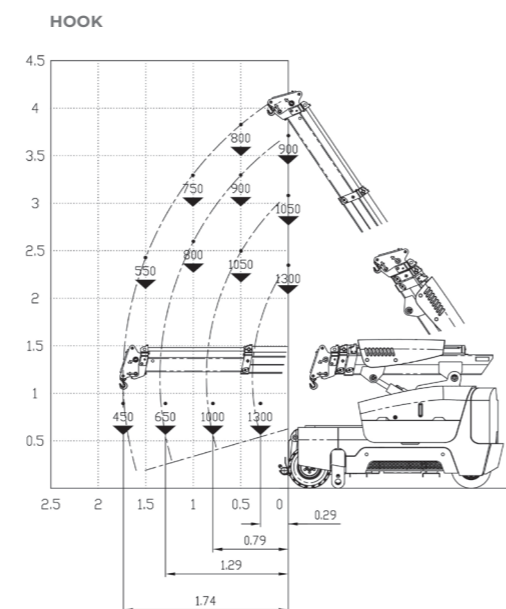
- BENDABLE MANUAL JIB
- HYDRAULIC WINCH
- SUCKER
- HYDRAULIC HANDLER
- NON-MARKING TIRES
- GARDEN WHEELS
- ATEX CONVERSIONS
- CUSTOMIZED PAINTING



Technical features

Max Capacity kg	1,300	Front-wheels drive. 2 electric motors AC 2,5 kW 24V Insulation class H	LMI. Electronic Load Moment Indicator System
	Dimensions mm	2357x840x1579	Automatic braking system on all wheels
24 V - 200 Ah 8 working hours		Front nr. 2 superelastic 16x6-8" Rear nr. 2 superelastic 15x4,5-8"	Fabricated from preformed and welded quality steel plate
Rear Steering angle -90°/+90°		+56°/-16°	Electric motor 2,5 kW - 24 V AC, Insulation class H

Load charts



EU Standards CE

	UNI ISO 4301-2: A1
	2006/42 CE-2014/30 UE-2014/35 UE- 2000/14 e and subsequent modifications
	EN 13000:2014 ANSI/ASME B30.5-2011 and subsequent modifications

Dimensions

